

1 2 3 4 5 6

D

D

C

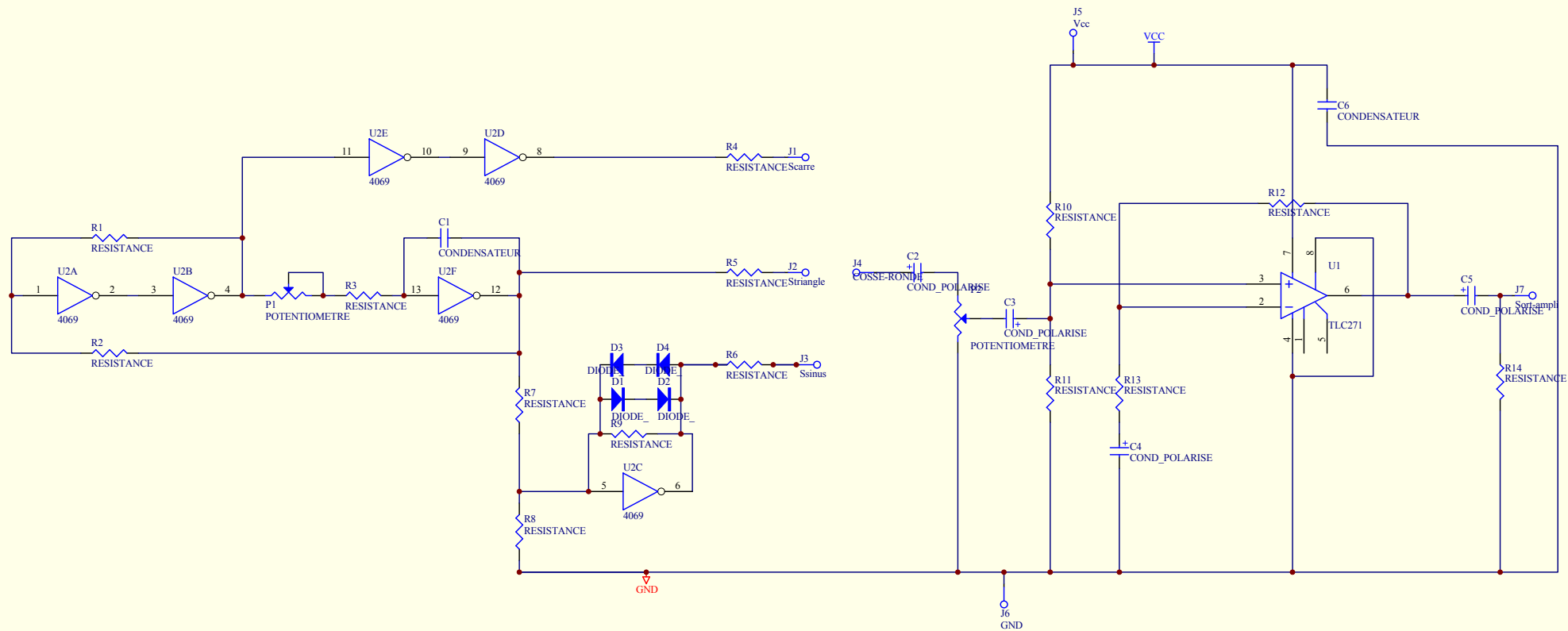
C

B

B

A

A



Title		
Size B	Number	Revision
Date:	7-Nov-2006	Sheet of
File:	H:\GBF\GBF2.SCH	Drawn By:

1 2 3 4 5 6